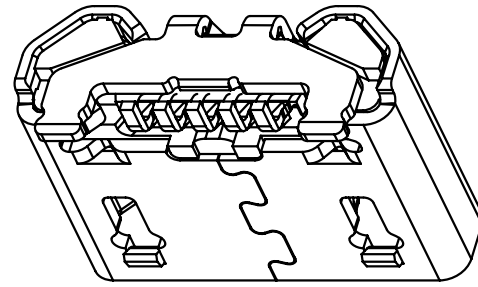
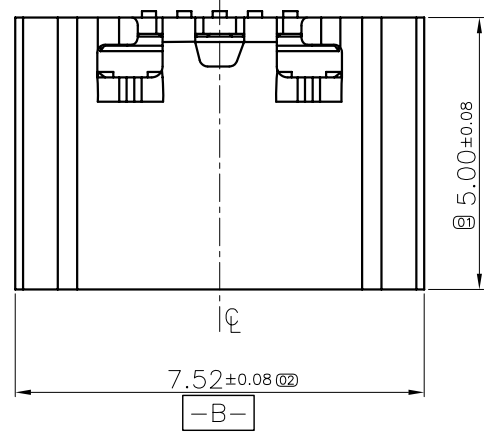
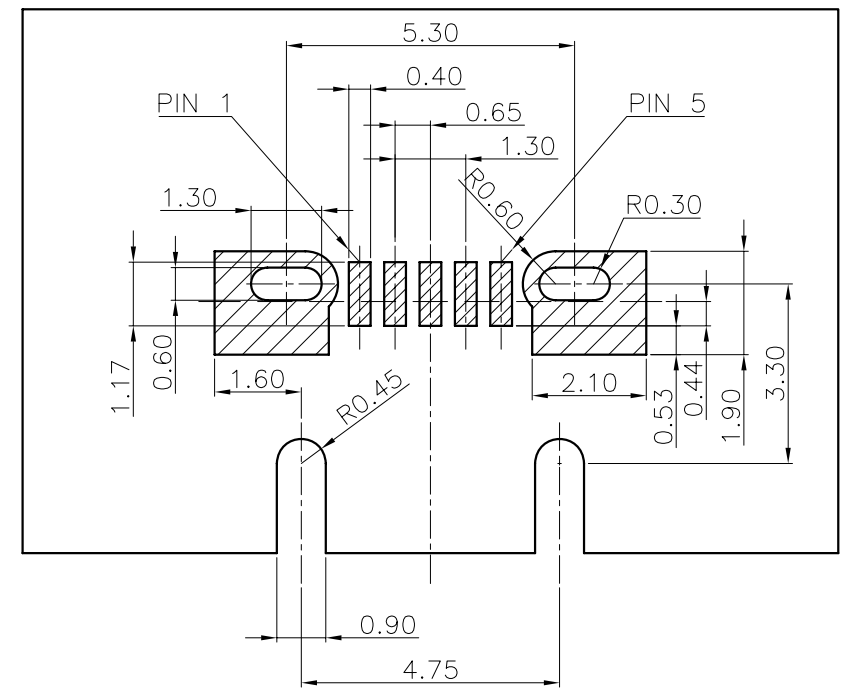
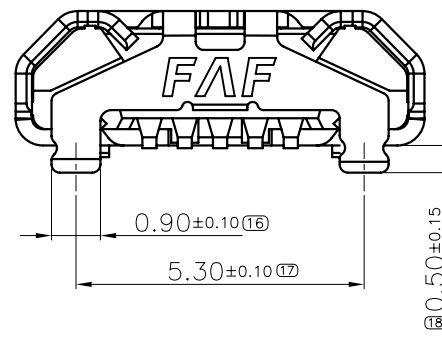
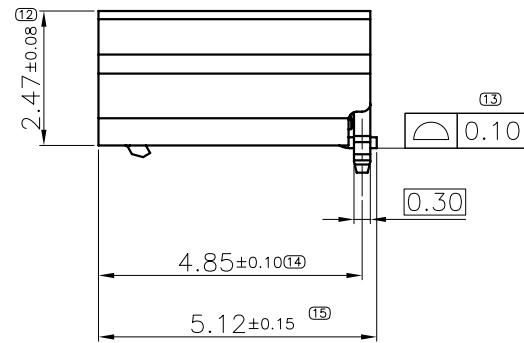
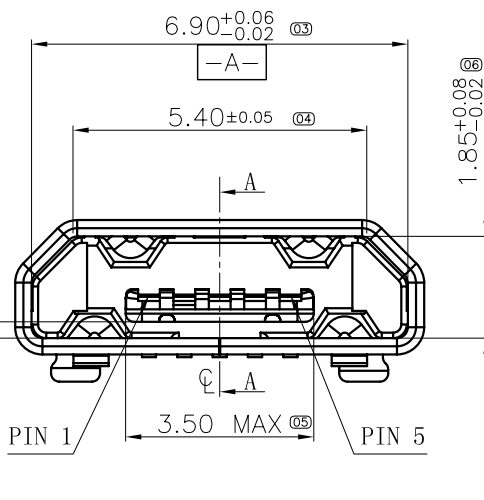


A4

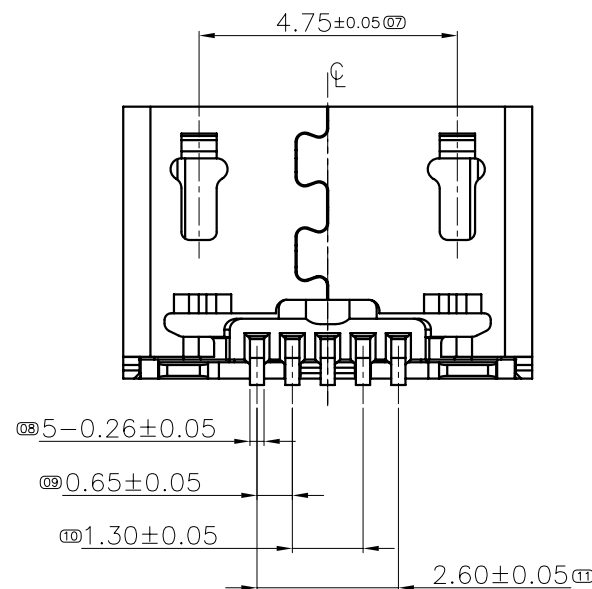
REV	ECN NO	DESCRIPTION	DATE	APPD
X1		初版发行	2015.04.17	周冬方



3D VIEW



RECOMMENDED PCB LAYOUT  
TOP VIEW (TOLRANCE:±0.05)



NOTE:

- MATERIAL:  
HOUSING: HIGH TEMP. THERMOPLASTIC, PA10T R630 BLACK COLOR, UL 94V-0;  
TERMINAL: COPPER ALLOY, C2680-H T=0.20mm;  
SHELL: STAINLESS STEEL, SUS 304 T=0.30mm;  
PLATE: STAINLESS STEEL, SUS 304 T=0.10mm;
- PLATING:  
TERMINAL: NICKEL 50~120u" UNDER PLATED OVER ALL;  
GOLD 15u" Min PLATED AT CONTACT AREA;  
GOLD 2u" Min PLATED AT SOLDER TAIL AREA;  
SHELL: NICKEL 50~120u" UNDER PLATED OVER ALL;  
MATTE TIN 80~150u" ON THE ALL.  
PLATE: NICKEL 50~100u" UNDER PLATED OVER ALL;
- TAIL&NAIL COPLANARITY 0.08mm MAXIMUM.
- PERFORMANCE:  
CONTACT RESISTANCE: 40mΩ. Max.  
DWV: 100V AC FOR 1MINUTE;  
INSULATION RESISTANCE: 500MΩ. Min.  
MATING FORCE: 20N Max.  
UN-MATING FORCE: 8-20N.  
DURABILITY: 10000 CYCLE Min.

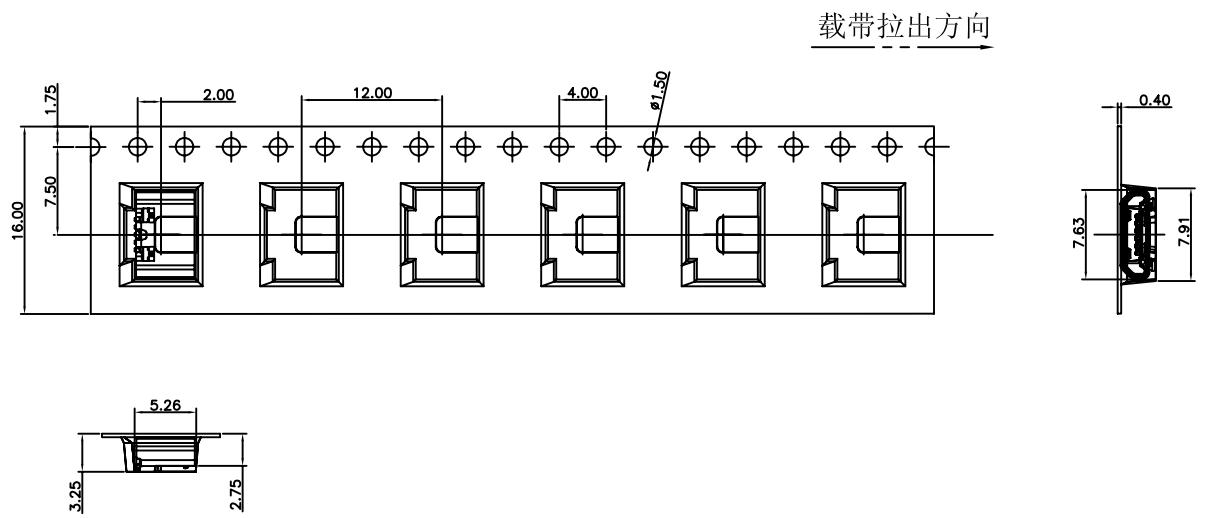
料号明细

3.097A0-005-5R0	<b>FAF</b>	接触区镀金15u" Min 焊脚区镀金2u" Min
料号	MARK	接触区镀金说明

EXTEND USE		TITLE		DWG NO	
MICRO USB 5P		MICRO USB 5P CUST'DWG		C-3.097A0	
GENERAL TOLERANCE (M)		MATERIAL		APPD	
DIMENTION		QTY		P/N:	
ANGLES		FINISHED		3.097A0-005-5R0	
. ±0.30	. ±3°	DRN 黄文珠 2015.04.17		SHEET	
.0 ±0.25	.0 ±2°			SCALE	
.00 ±0.20	.00 ±1°			1/1	
.000 ±0.10				REV	
				X1	

A4

REV	ECN NO	DESCRIPTION	DATE	APPD
X1		初版发行	2015.04.22	周冬方



说明:

1. 数量:

1.1. 卷盘包装: 2200PCS/REEL;

1.2. 外箱包装: 12 REELS/CARTON (26400PCS);

2. 盖带与载带剥离力: 20~75gf;

3. 剥离角度: 165° ~ 180°;

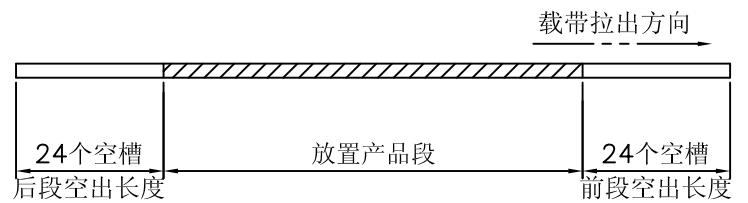
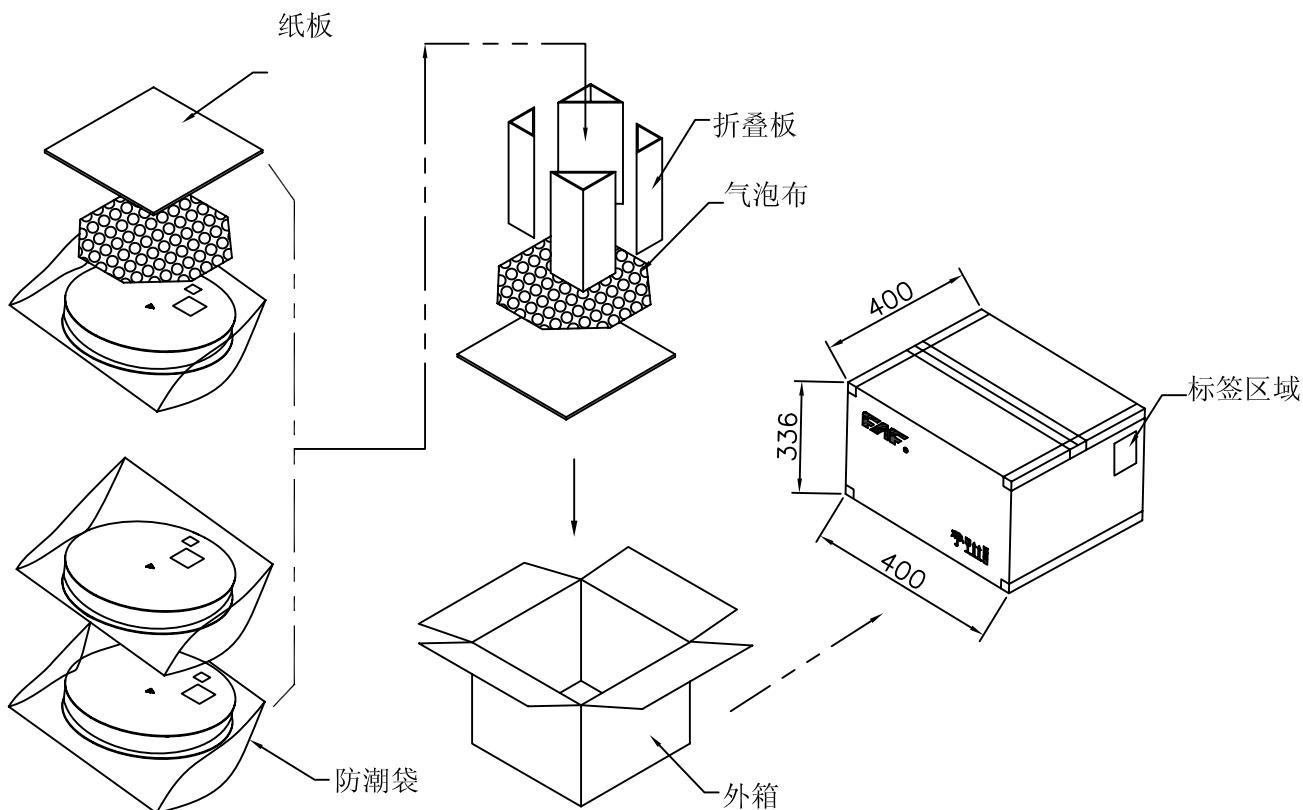
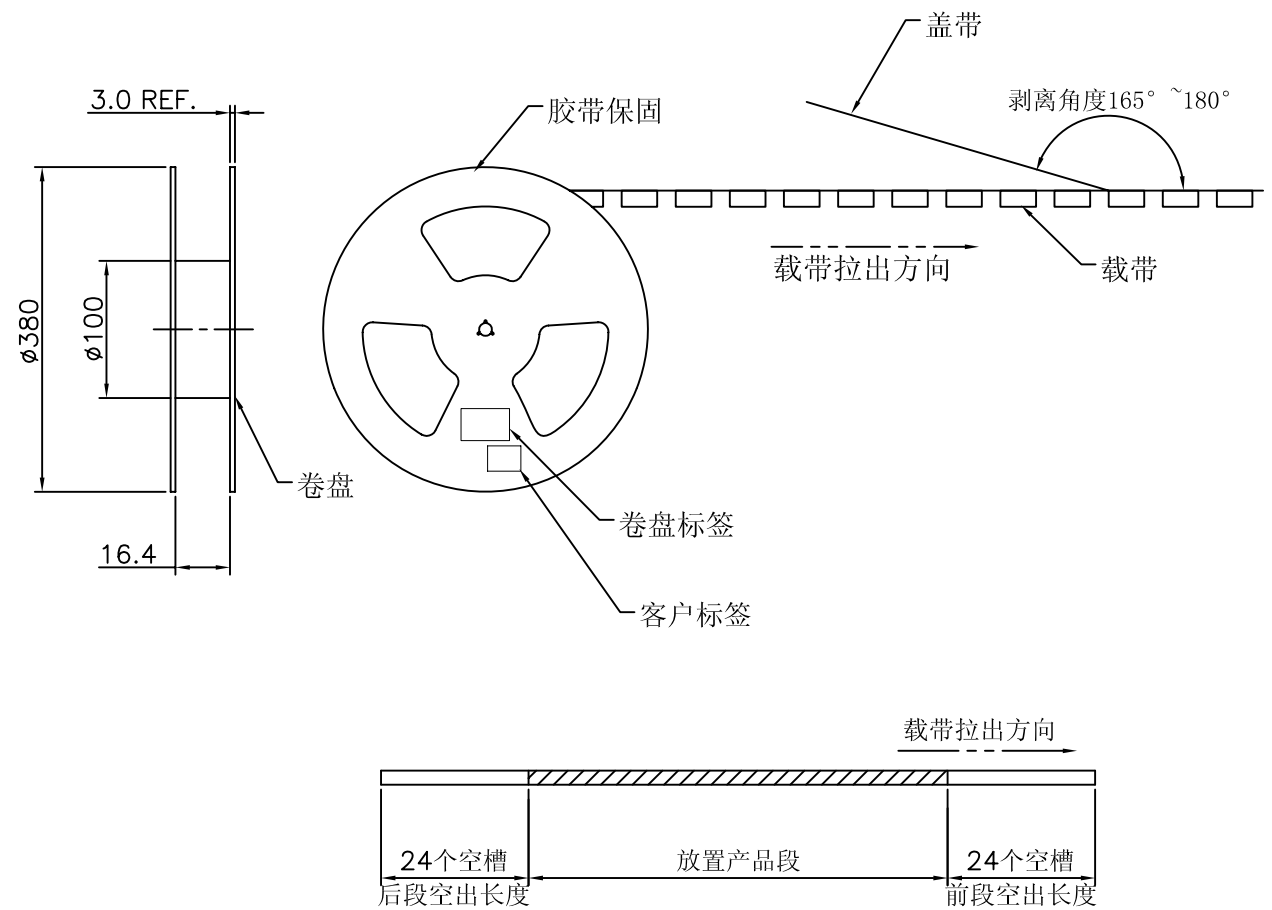
4. 剥离速度: 300mm/min.

5. 来料、生产及包装运输过程必须满足

FAF JH-GP-213 《环境管理物质限用作业程序》要求.

6. 料号明细

3.097A0-005-5R0	接触区镀金15u" Min; 焊脚区镀金2u" Min
PART NUMBER	CONTACT PLATING



EXTEND USE		UNIT mm	TITLE			
Micro USB 5Pin			3.097A0 客户包装图			
GENERAL TOLERANCE		MATERIAL	APPD		DWG NO	
DIMENTION		QTY	CHD		C-3.097A0-P	
ANGLES		FINISHED	DRN 黄文珠 2015.04.22		P/N:	
.0 ±0.10	.0 ±1'				3.097A0-005-5R0	
.00 ±0.10	.00 ±0.5'				SHEET	SCALE
.000 ±0.10					1/1	N/A
					REV	X1